



ZOOMARK
INTERNATIONAL

15.5 - 17.5 / 2023

ZOOMARK NEXT

THE START-UP AREA OF
ZOOMARK INTERNATIONAL

An event by:



CONTACTS:

exhibitor@zoomark.it



START-UP AREA

Introduce your start-up to the pet business community within the unique showcase of Zoomark International

REQUIREMENTS

First participation in Zoomark International

Business started in the industry no earlier than 2018

The development, production and marketing of innovative products or services in the pet sector being the exclusive or prevailing activity

Annual production not exceeding € 5 million

Max. 50 employees

NEXT - START-UP PACKAGE

What's included

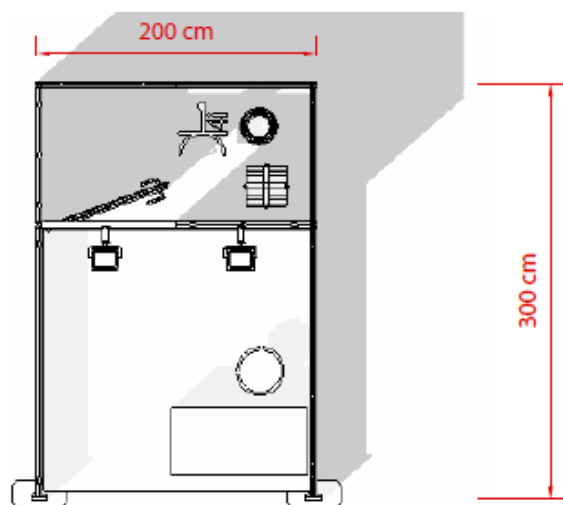
Display area of approx. 6sqm, including:	1 Counter 1 Multi-socket Storage room	1 Stool 1 Spotlight	1 Company name board Floor carpet
Subscription fee	Incl. insurance as per art.16 of the Terms of participation, badges and car park		
Marketing package	Company's description in the show catalogue, electronic profile, Pet Vision/New Products Showcase, What's New guide, invitation tickets, VIP cards, wi-fi connection up to 5 devices		
Services	Incl. 5kW power connection and consumption, daily stand cleaning as per art.18 of the Terms of participation, technical assistance, fire extinguisher, general hall surveillance		

€ 1,600 + VAT (if due)

Start-up booth layout



Vista | immagine indicativa - View | sample image

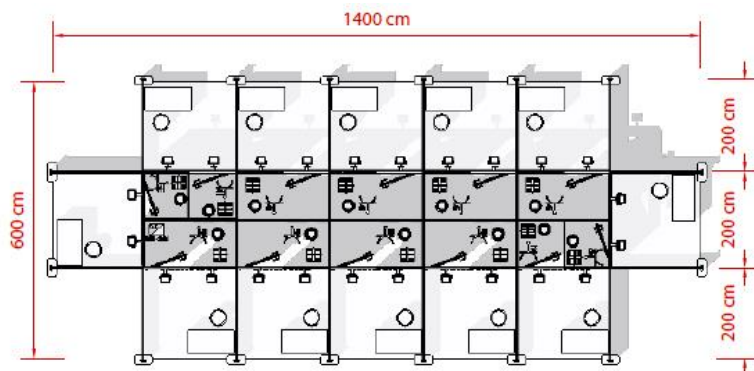


Pianta | immagine indicativa - Plan | sample image

Start-up area layout



Vista | immagine indicativa - View | sample image



Pianta | immagine indicativa - Plan | sample image

An event by:



20th INTERNATIONAL EXHIBITION
OF PRODUCTS AND
ACCESSORIES FOR PETS

www.bolognafiere.it



ZOOMARK
INTERNATIONAL

15.5 → 17.5 · 2023 | BOLOGNAFIERE

Managing and Operating Secretariat:



VIALE REGINA GIOVANNA 17 - 20121 MILANO
T. +39 3331412279 - 3428490033
info@zoomark.it - exhibitor@zoomark.it

www.zoomark.it

PS

NEXT - START-UP PACKAGE APPLICATION FORM

PS

TO BE SENT TO EXHIBITOR@ZOOMARK.IT

Company's fiscal name _____

Fiscal address _____ ZIP Code _____ City _____

Country _____ Phone no. _____ Website _____

E-mail _____ E-mail for invoice _____

Contact Person _____ Direct E-mail _____ Direct phone no. _____

Companies Register

Taxable entity/person _____ → please indicate your VAT code: _____

In our country VAT code does not exist _____ → please indicate your company identification no. _____

Private individual _____ → please indicate date and place of birth: _____

Product: Pet food Accessories Hygiene & beauty products Veterinary products Raw materials

Machines and equipment Packaging Private label Specialized literature & services Other

Category: Dogs Cats Fish & Aquarium Birds Small mammals Terrariums Other

NEXT - START-UP PACKAGE € 1,600 + 22% VAT (if due)

Includes:

Display area of approx.	1 Counter	1 Stool	1 Company name board
6sqm, including:	1 Multi-socket	1 Spotlight	Floor carpet
	Storage room		

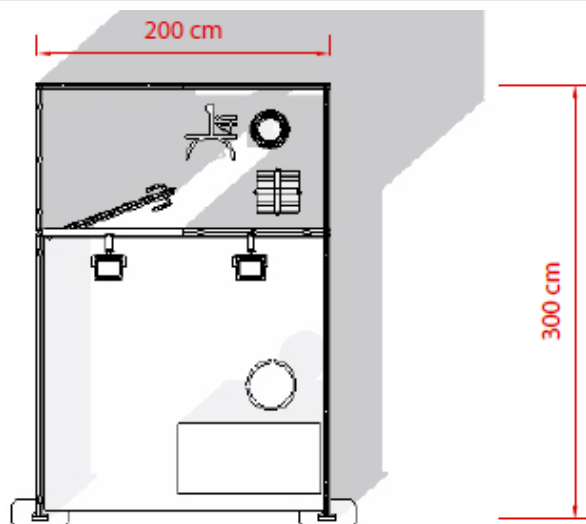
Subscription fee Incl. insurance as per art. 16 of the Terms of participation, badges and car park

Marketing package Company's description in the show catalogue, electronic profile, Pet Vision/New Products Showcase, What's New guide, invitation tickets, VIP cards, wi-fi connection up to 5 devices

Services Incl. 5kW power connection and consumption, daily stand cleaning as per art. 18 of the Terms of participation, technical assistance, fire extinguisher, general hall surveillance



Vista | immagine indicativa - View | sample image



Pianta | immagine indicativa - Plan | sample image

TO BE SENT TO EXHIBITOR@ZOOMARK.IT

TERMS OF PARTICIPATION IN THE NEXT – START-UP AREA

- The company must have never participated in Zoomark International before
- The company must be created no earlier than 2018
- The company must have a maximum of 50 employees
- The company must have an annual turnover not exceeding 5 million euros
- The company must have the development, production and marketing of innovative products or services in the pet sector as its exclusive or main corporate purpose
- Co-exhibitors are NOT allowed; the exhibition space cannot be shared with other companies

Having taken notice of the General Terms of Participation in the Exhibition,

THE UNDERSIGNED COMPANY DECLARES TO MEET ALL THE REQUIREMENTS SPECIFIED IN THE ABOVE TERMS OF PARTICIPATION AND APPLIES TO PARTICIPATE IN THE NEXT – START-UP AREA OF ZOOMARK INTERNATIONAL 2023 – 20th INTERNATIONAL EXHIBITION OF PRODUCTS AND ACCESSORIES FOR PETS.

Regarding to the above, **THE COMPANY PAYS in advance the amount of € 500.00 + 22% VAT (if due).**

The amount will be deducted from the total participation costs in the final balance invoice.

The downpayment will be paid by:

- Money transfer to BOLOGNAFIERE S.p.A, UniCredit S.p.A. – IBAN code: IT 88 T 02008 05364 000001770889 – BIC SWIFT code: UNCRITMMORR.
- Money transfer to BOLOGNAFIERE S.p.A, Banco BPM Spa – IBAN code: IT 38 X 05034 02410 000000022996 – BIC SWIFT code: BAPPIT21586.
- Credit card _____ no. _____ Expiring ____ / ____ CVV no. _____
- Card holder's name _____ card holder's signature _____

Date _____ Stamp and signature of legal representative
or other manager with similar power _____

In accordance and in effect of art. 1341 and 1342 of the Italian Civil Code, the exhibitor explicitly approves the following clauses in the General Terms of Participation:
• Form and irrevocability of the Application for Admission (art. 5); • Discretionality of the Organizers (art. 3, 4, 26) • Right to rescind or withdraw from the contract or to suspend the contract execution (art. 6, 8, 9, 28, 30) • Penalty clause (art. 6, 8, 12, 13) • Waiver of indemnity or refund (art. 7, 8) • Limits to the right of withdrawal (art. 8, 28) • Limit or waiver of responsibility (art. 9, 12, 14, 15, 16, 23, 24, 25, 26) • Assumption of responsibility (art. 12, 14, 15, 16, 26, 30) • Service supply conditions (art. 21, 24) • Competent court (art. 29) • Treatment of personal data and informed consent (art. 31)

Date _____ Stamp and signature of legal representative
or other manager with similar power _____

The form will be accepted only with the downpayment and the double signature